

**DUNDAS PARKS AND RECREATION BOARD
REGULAR MEETING AGENDA
TUESDAY, JULY 13, 2021
7:00 PM CITY HALL**

1. CALL TO ORDER
 - a. Roll Call/Notification of Quorum
 - b. Approval of Agenda*
Motion by _____, second by _____ to approve Agenda
 - c. Approval of Minutes of Regular Meeting, April 13, 2021*
Motion by _____, second by _____ to approve minutes
2. OLD BUSINESS
 - a. 2021 Work Plan
3. NEW BUSINESS
 - a. Sculpture Area Landscaping – for information purposes only
 - b. Trunk or Treat – begin planning
4. ANNOUNCEMENTS
 - a. Council Meeting – Mondays, July 26 and August 9, 2021 at 7:00 PM
 - b. Park Board Meeting – Tuesday, August 10, 2021, at 7:00 PM
5. ITEMS FOR AUGUST 10 MEETING
6. ADJOURNMENT
Motion by _____, second by _____

**DUNDAS PARKS AND RECREATION BOARD
REGULAR MEETING MINUTES
TUESDAY, APRIL 13, 2021
7:00 PM CITY HALL**

Present: Chair Ashley Gallagher; Members Larry Fowler, Carrie Rice, Emily Zimmer
Staff: City Administrator Jenelle Teppen

APPROVAL OF AGENDA

Motion by Zimmer, second by Rice, to approve the Agenda. Motion Carried Unanimously (MCU)

APPROVE OF MINUTES

Motion by Fowler, second by Rice, to approve minutes of March 9, 2021. MCU

OLD BUSINESS

2021 Work Plan

Discussion about any items for the Board to consider for 2022 State Baseball Tournament Dundas is hosting.

Review Quotes for Memorial Park Playground Equipment

The Board reviewed plans and quotes submitted for playground equipment at Memorial Park.

Motion by Fowler, second by Rice to recommend to Council the MN/WI Playground Option 2 plan. MCU

NEW BUSINESS

Riverfront Planting

Decision was to wait on moving forward with any riverfront planting resulting from removal of the noxious weeds along the Cannon River west side bank area.

Bridgewater Heights Future Park

A brief discussion took place about a future park in Bridgewater Heights – by the water tower and ice rink. Staff will return at some point in the future with a proposed process that would include receiving input from the public on what amenities might be included.

ITEMS FOR MAY 11 MEETING

Landscaping Sculpture Area

ADJOURN

Motion by Fowler, second by Zimmer, to adjourn meeting at 8:00 p.m.

Ashley Gallagher, Chair

MILL TOWNS TRAIL HEAD IMPROVEMENT PROJECT

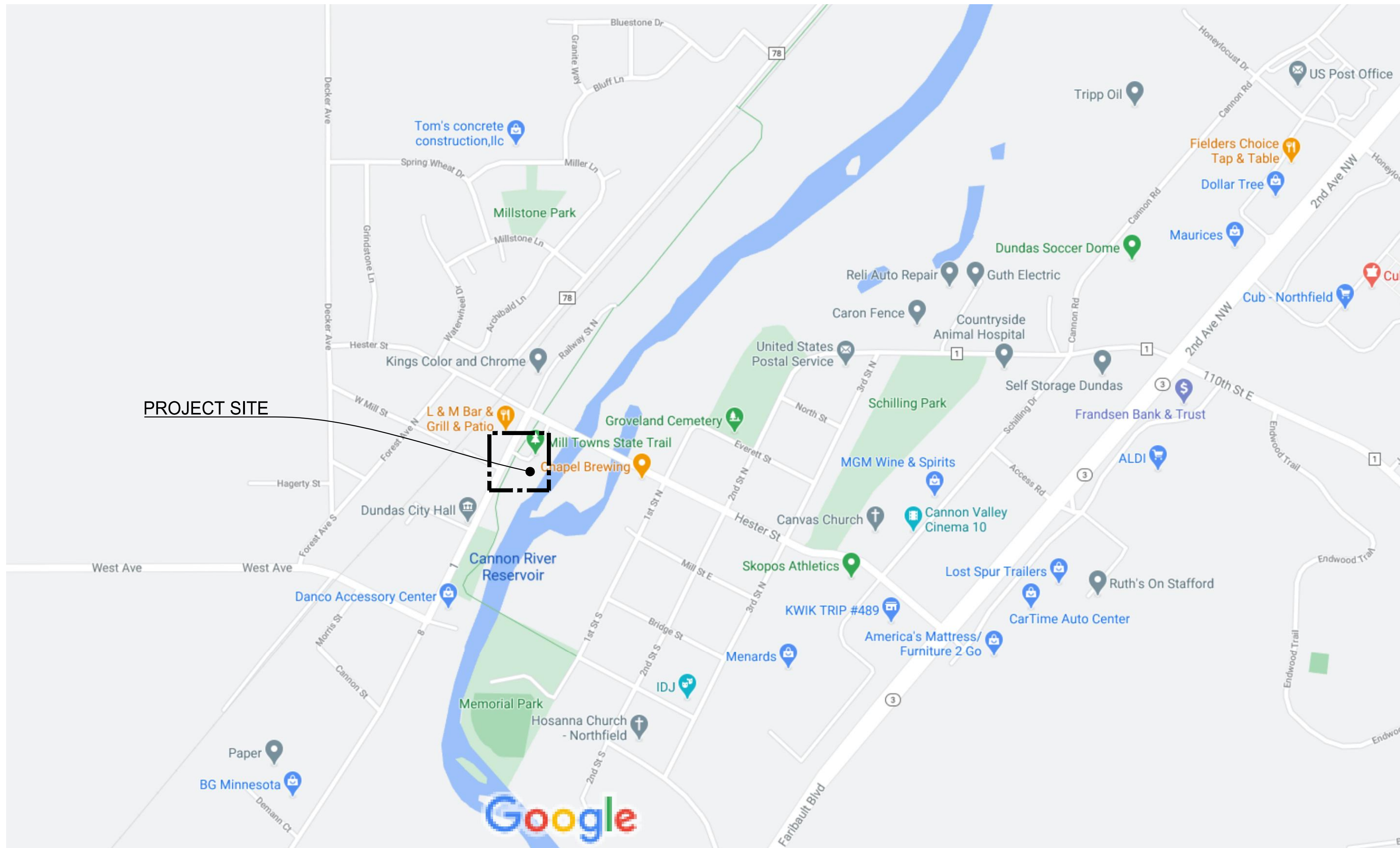
Dundas, Minnesota



WSB PROJECT NO.:
010496-000

WSB & Associates, Inc. Project No. 010496-000
Issue Date..... January 25, 2021

SCALE: AS SHOWN
DESIGN BY: JAF
PLAN BY: SDF
CHECK BY: JAF



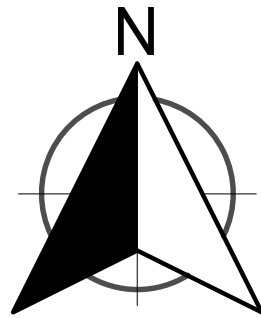
Sheet List Table	
SHEET NUMBER	SHEET TITLE
L1.0	COVER SHEET
L2.0	OVERALL SITE PLAN, GRADING PLAN, AND DETAILS
L3.0	OVERALL RESTORATION PLAN

NO.	DATE	DESCRIPTION

I HEREBY CERTIFY THAT THIS PLAN, SPECIFICATION, OR LETTERS PREPARED BY ME OR UNDER MY DIRECT SUPERVISION AND I AM A DULY LICENSED LANDSCAPE ARCHITECT UNDER THE LAWS OF THE STATE OF MINNESOTA.
 DATE: 01/25/2021 8:58:40 AM
 JEFFREY A. JAFNER
 LIC. NO.: 42576

1 PROJECT LOCATION MAP
L1.0 SCALE: NOT TO SCALE

THE SUBSURFACE UTILITY INFORMATION SHOWN ON THESE DRAWINGS CONCERNING TYPE AND LOCATION OF PRIVATE UTILITIES HAS BEEN DESIGNATED UTILITY QUALITY LEVEL D. THESE QUALITY LEVELS WERE DETERMINED ACCORDING TO THE GUIDELINES OF CI/ASCE 38-02, ENTITLED "STANDARD GUIDELINES FOR THE COLLECTION AND DEPICTION OF EXISTING SUBSURFACE DATA". THE CONTRACTOR IS TO DETERMINE THE TYPE AND LOCATION OF PRIVATE UTILITIES AS MAY BE DEEMED NECESSARY TO AVOID DAMAGE THERETO.



MILL TOWNS TRAIL HEAD IMPROVEMENT PROJECT
 CITY OF DUNDAS

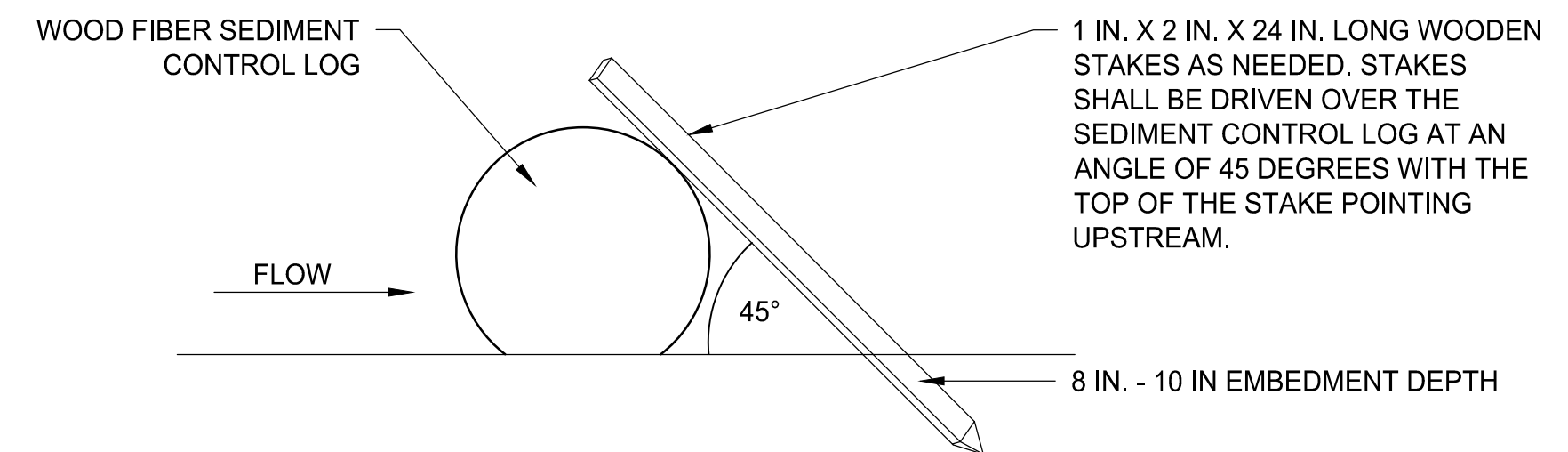
COVER SHEET

SHEET
L1.0

K:\010496-000\CadPlan\010496-000-L1-TITLE.dwg 1/25/2021 8:59:47 AM

LEGEND:

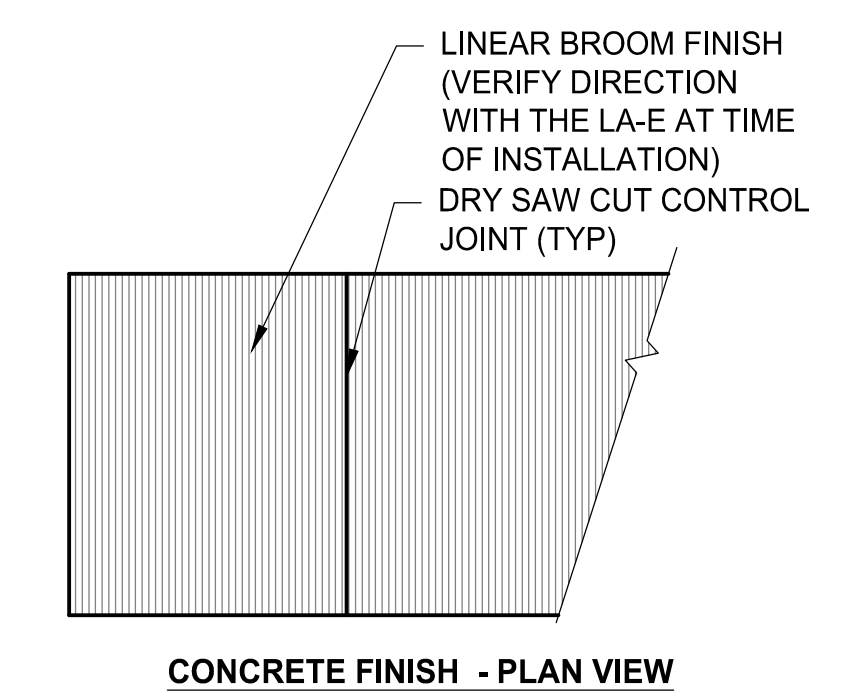
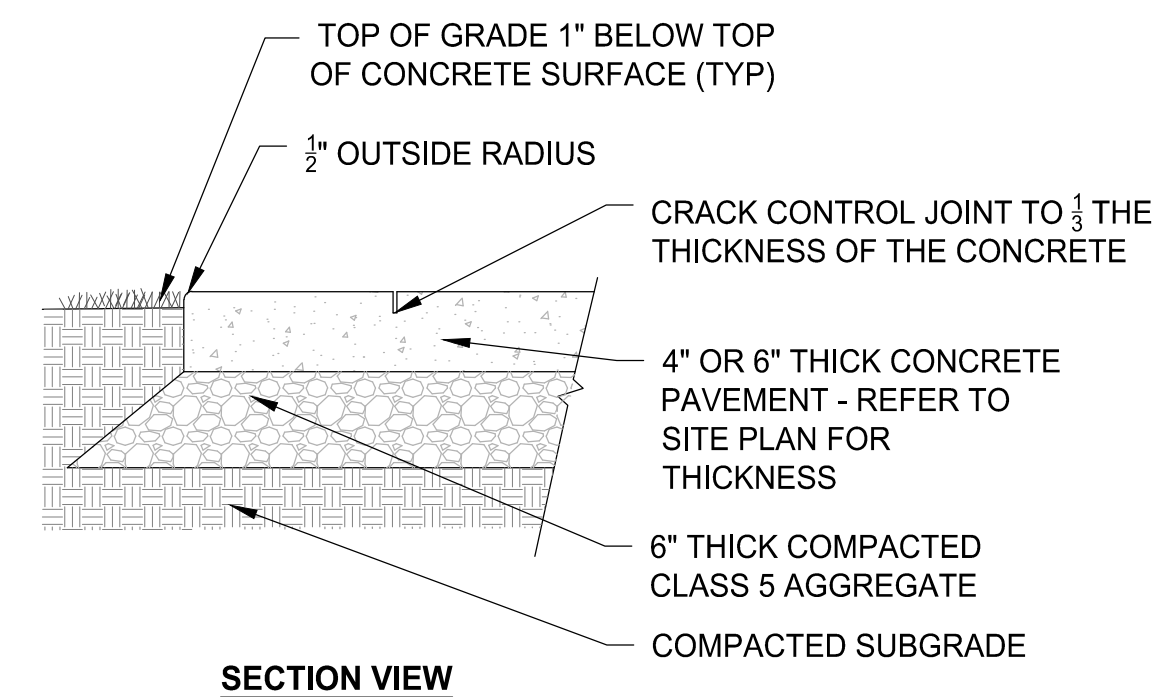
	CONSTRUCTION LIMITS		LOW POINT
	WOOD SEDIMENT CONTROL LOG		TOP OF CURB
	EXISTING CONTOUR		EXISTING GRADE (FIELD VERIFY)
	EXISTING DECIDUOUS TREE		GUTTER GRADE
	EXISTING CONIFER TREE		CROSS SLOPE DIRECTION
	PROPOSED CONTOUR		LAYOUT CONTROL POINT
	EXISTING SPOT GRADE (FIELD VERIFY)		4" THICK CONCRETE WALK
	PROPOSED SPOT GRADE		6" THICK CONCRETE WALK
	HIGH POINT		CONCRETE BAND
			CONCRETE PAVER



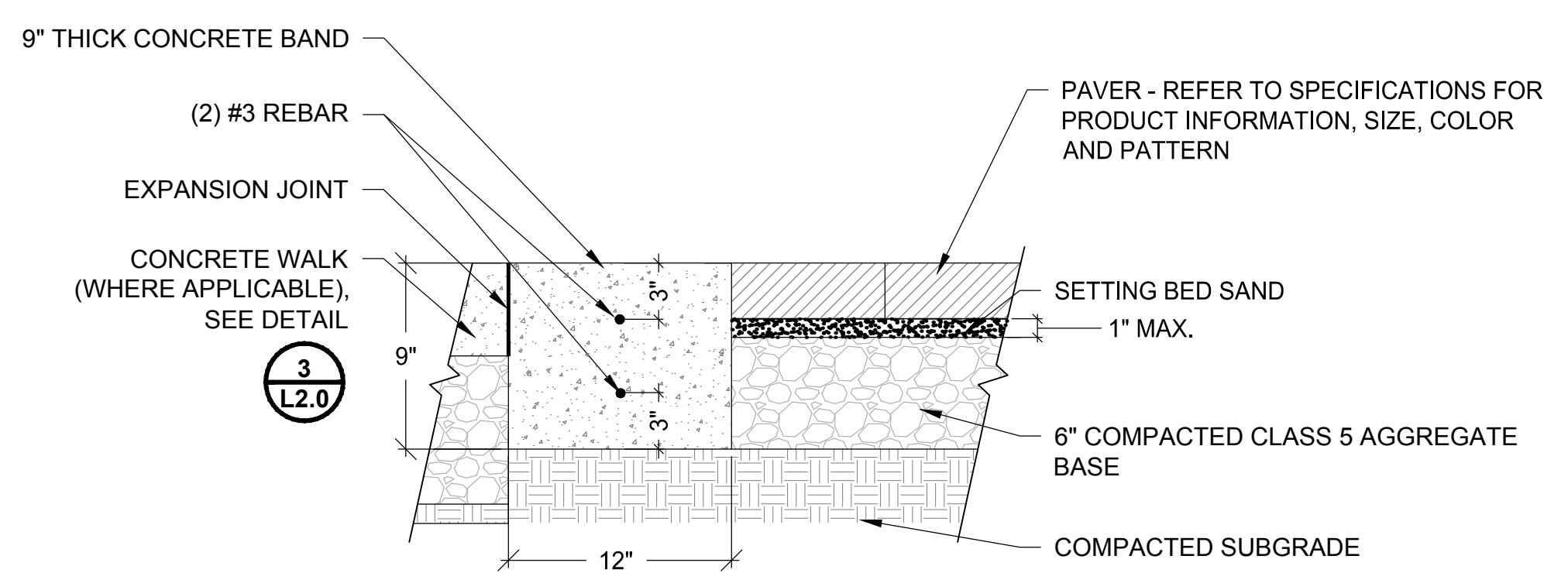
2 WOOD SEDIMENT CONTROL LOG DETAIL

CONCRETE WALK WITH AGGREGATE BASE SECTION:
4" OR 6" THICK CONCRETE (4000 PSI) OVER 6" THICK COMPACTED DEPTH OF MnDOT 3138 CLASS 5 CRUSHED AGGREGATE BASE COMPACTED TO 100% STANDARD PROCTOR DENSITY.

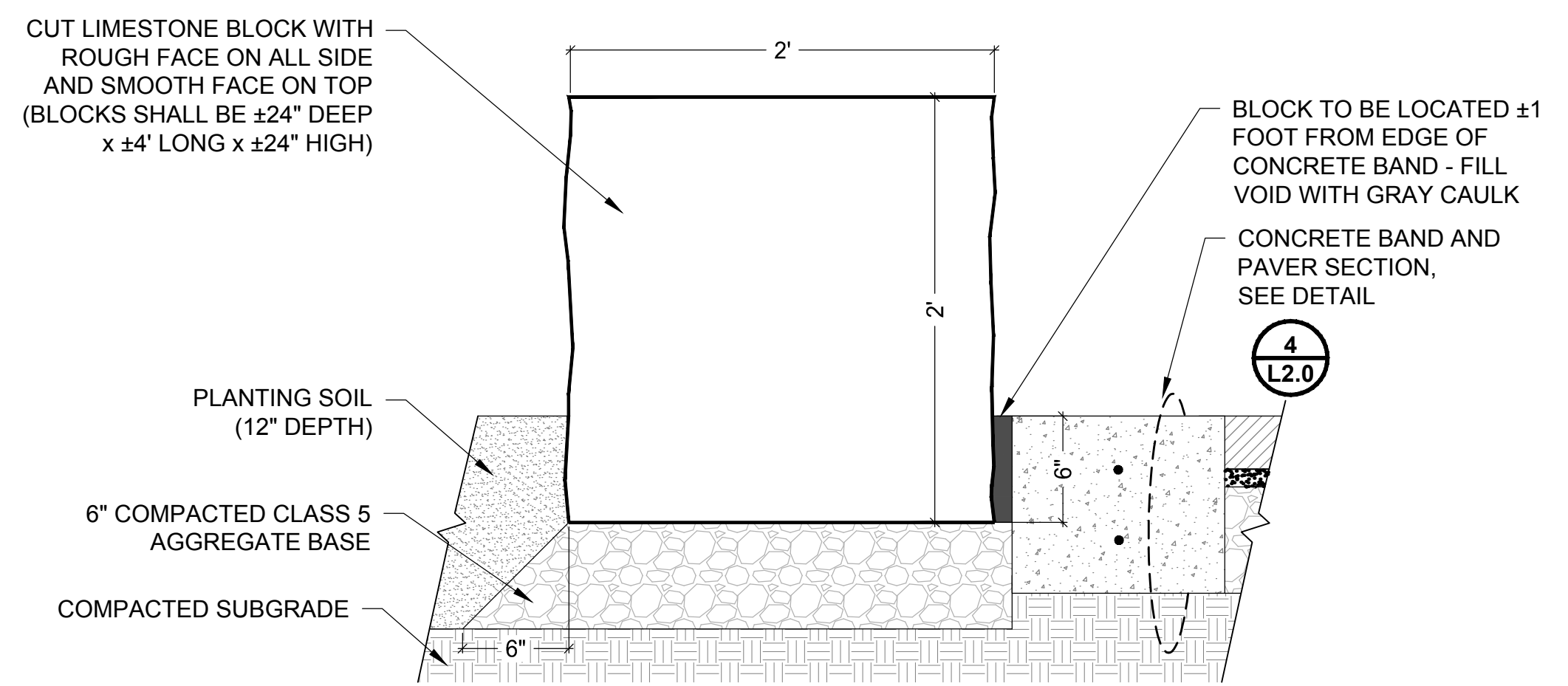
SAWCUT FINISH:
LIGHT BROOM FINISH WITH DRY SAW CUT JOINTS CUT TO DEPTH EQUAL TO 1/3 THICKNESS OF PAVEMENT (TYP) - REFER TO PLANS AND DETAILS FOR LOCATIONS



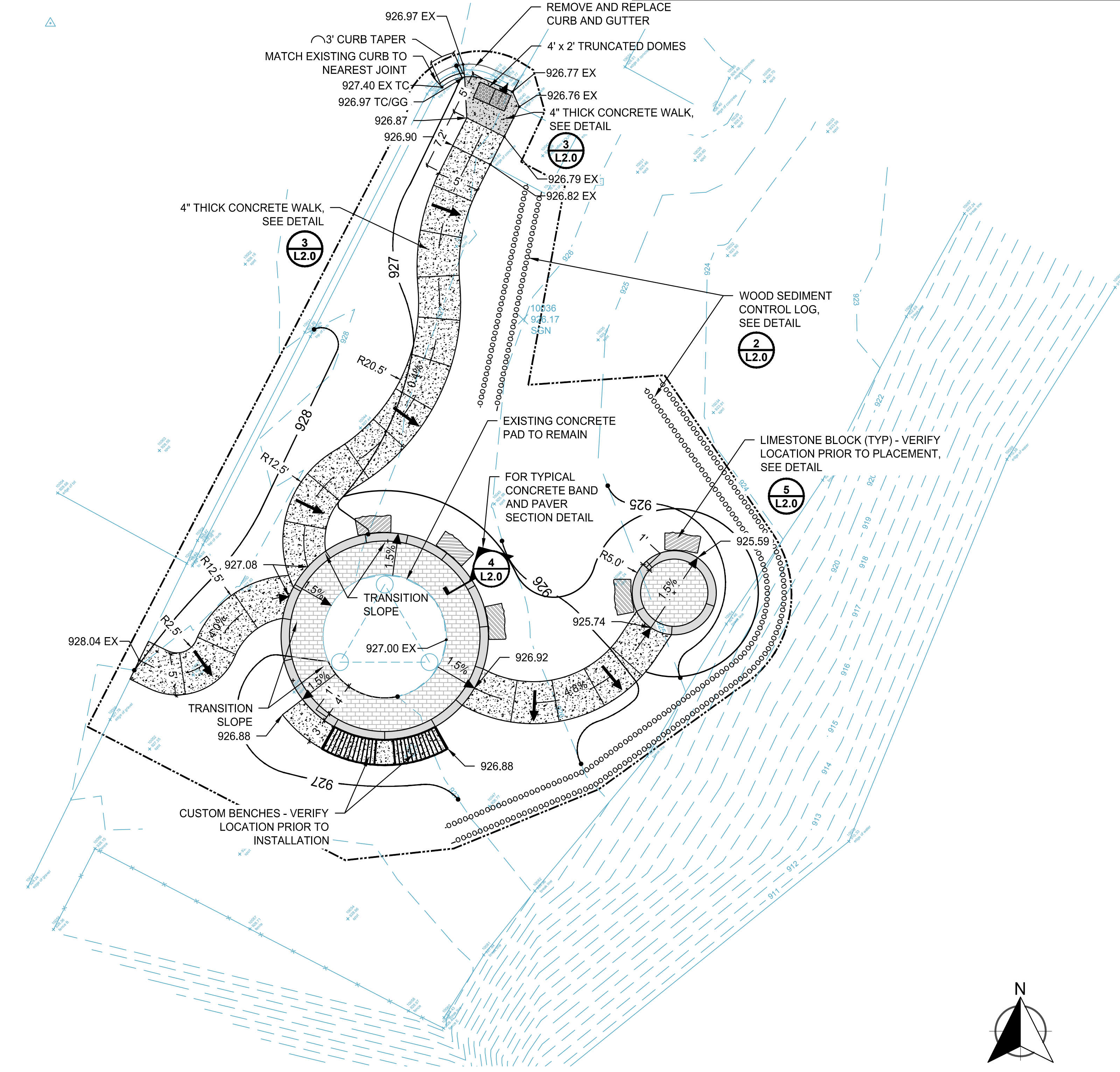
3 CONCRETE WALK DETAIL



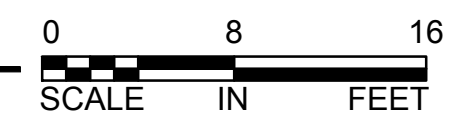
4 CONCRETE BAND AND PAVER SECTION DETAIL



5 LIMESTONE BLOCK DETAIL



1 OVERALL SITE PLAN



REVISIONS

NO.	DATE	DESCRIPTION

I HEREBY CERTIFY THAT THIS PLAN, SPECIFICATION, OR LETTER PREPARED BY ME OR UNDER MY DIRECT SUPERVISION AND I AM A DULY LICENSED LANDSCAPE ARCHITECT UNDER THE LAWS OF THE STATE OF MINNESOTA.
 01/29/2021 8:59:11 AM
 JEFFREY A. MILLNER
 DATE: 1/19/2021 LIC. NO.: 42876

NOT FOR CONSTRUCTION
 MILL TOWNS TRAIL HEAD IMPROVEMENT PROJECT
 CITY OF DUNDAS

OVERALL SITE PLAN, GRADING PLAN, AND DETAILS

K:\10496-000\Cad\Proposed\10496-000_L-SITE-94SE-2D.dwg 1/25/2021 8:50:59 AM

NO.	DATE	DESCRIPTION

I HEREBY CERTIFY THAT THIS PLAN, SPECIFICATION, OR LETTERS PREPARED BY ME OR UNDER MY DIRECT SUPERVISION AND THAT I AM A DULY LICENSED LANDSCAPE ARCHITECT UNDER THE LAWS OF THE STATE OF MINNESOTA
NOT FOR CONSTRUCTION
 01/29/2021 8:59:11 AM
 JEFFREY A. JUNER
 DATE: 1/19/2021 LIC. NO.: 42876

MILL TOWNS TRAIL HEAD IMPROVEMENT PROJECT
 CITY OF DUNDAS

RESTORATION

PLANT SCHEDULE

SHRUBS	QTY	BOTANICAL / COMMON NAME	SIZE
	11	Buxus 'Glencoe' / Chicago Green TM	5 gal
	12	Weigela florida 'Dark Horse' / Dark Horse Weigela	5 gal
GRASSES / SEDGE	QTY	BOTANICAL / COMMON NAME	SIZE
	9	Schizachyrium scoparium 'Standing Ovation' / Standing Ovation Little Bluestem	1 gal
	20	Sporobolus heterolepis / Prairie Dropseed	1 gal
PERENNIAL	QTY	BOTANICAL / COMMON NAME	SIZE
	6	Allium tanguticum 'Summer Beauty' / Summer Beauty Globe Lily	1 gal
	20	Aster novae-angliae 'Purple Dome' / Purple Dome New England Aster	1 gal
	25	Coreopsis x 'Darling Clementine' TM / Lil Bang Clementine Tickseed	1 gal
	20	Dianthus plumarius 'Kahori Scarlet' (PPAF) / Kahori Scarlet	1 gal
	22	Echinacea purpurea 'White Swan' / White Swan Coneflower	1 gal
	11	Liatris spicata 'Floristan Violet' / Floristan Violet Spike Gayfeather	1 gal

LEGEND:

	CONSTRUCTION LIMITS
	PROPOSED CONTOUR
	TURF SEED MIX WITH EROSION CONTROL BLANKET

